



LED 2041 (3.5 A / 20 AWG)  
LED 2042 (3.5 A / 20 AWG)

833.74.180	833.74.170
833.74.181	833.74.171
833.74.182	833.74.172
833.74.183	833.74.173

12 V System	K	W	T <sub>A</sub>							
833.74.180	2700 K	9.6 W/m	-20 °C – +45 °C -4 °F – +113 °F	15000 x 8 x 1.3	≥ 18 x 11.3	<div style="border: 1px solid black; padding: 2px; display: inline-block;">                     Loox 12 V                 </div>				
833.74.181	3000 K									
833.74.182	4000 K									
833.74.183	5000 K									
833.74.170	2700 K	4.8 W/m								
833.74.171	3000 K									
833.74.172	4000 K									
833.74.173	5000 K									

732.28.217

**A**

**+**

**B** 833.73.747  
2000

**C** X

X	
50	833.73.743
500	833.73.744
1000	833.73.745
2000	833.73.746

**D** 833.73.748

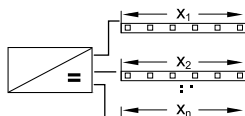
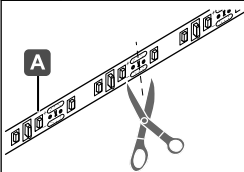
**E** 833.73.738

**i**

100 - 240 V~

HDE 07/2017

1



$$x_1 + x_2 + \dots + x_n \leq X$$

i

12 V / 6 W		
	$x_n$ [m]	X [m]
LED 2041	0.450	0.450
LED 2042	0.900	0.900

12 V / 15 W		
	$x_n$ [m]	X [m]
LED 2041	1.200	1.200
LED 2042	2.400	2.400

12 V / 20 W		
	$x_n$ [m]	X [m]
LED 2041	1.800	1.800
LED 2042	3.600	3.600

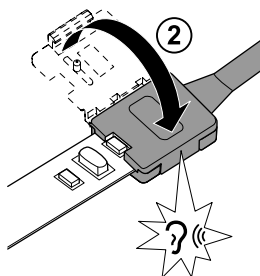
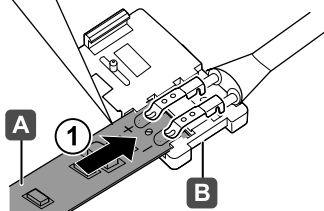
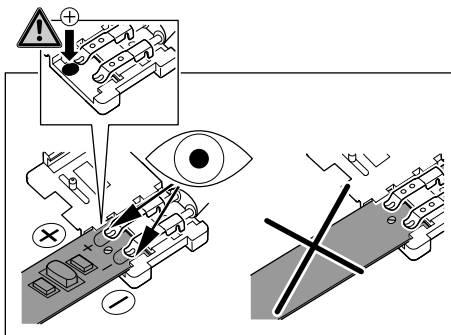
12 V / 27 W		
	$x_n$ [m]	X [m]
LED 2041	2.150	2.150
LED 2042	4.300	4.300

12 V / 40 W		
	$x_n$ [m]	X [m]
LED 2041	3.600	3.600
LED 2042	5.000	7.200

12 V / 60 W		
	$x_n$ [m]	X [m]
LED 2041	3.600	5.500
LED 2042	5.000	11.000

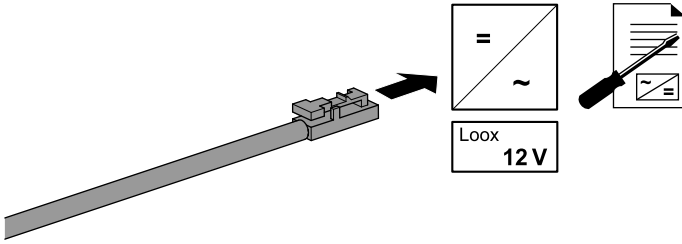
732.28.217

2



HDE 07/2017

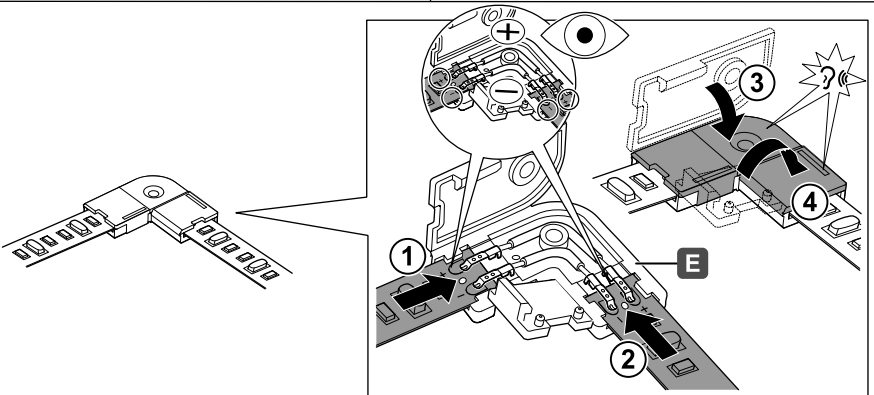
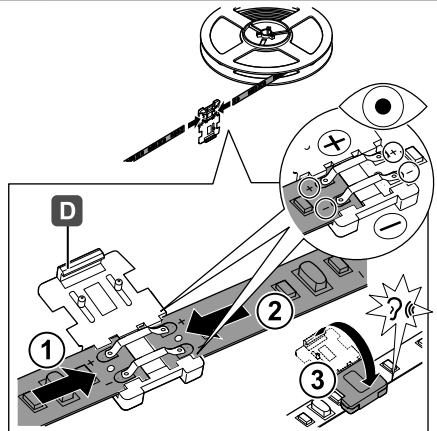
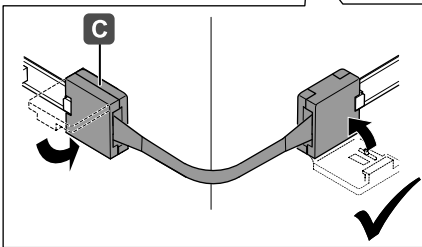
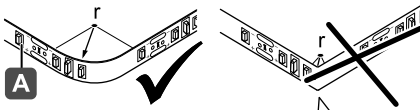
3



+

$r \geq 30 \text{ mm}$

$r < 30 \text{ mm}$



732.28.217

HDE 07/2017